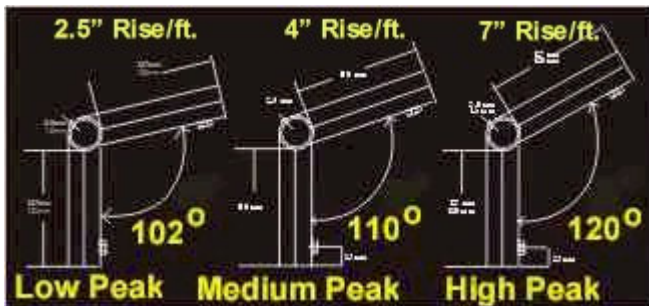


Canopy Gable Peak Definitions (Canopy Gable Peak Styles)



The Peak style is defined by the angle of the fitting that connects the leg to the rafter.

The following table shows that as you increase corner angle for a given size tarp width:

- 1) The front opening of the canopy gets narrower
- 2) The Peak height Increases

Peak Style	Corner Angle	Opening Width	Peak Height
Flat Roof	90 degree	10 feet	7 feet
Low Gable Peak	102 degree	9 feet 11 1/2 inches	8 feet
Medium Gable Peak	110 degree	9 feet 6 3/4 inches	8 feet 9 inches
High Gable Peak	120 degree	8 feet 9 3/4 inches	9 feet 6 3/4 inches

The above measurements were calculated using a 10ft wide tarp, 7 foot side legs and 1 inch tubing.

Design note:

Tarp over side and Valance canopy designs are not recommended for Flat Roof or Low Peak style canopies. The slope of the roof is not great enough to allow water to run off of the roof. As a result water can accumulate on the top of the canopy and the weight can cause the canopy to collapse.